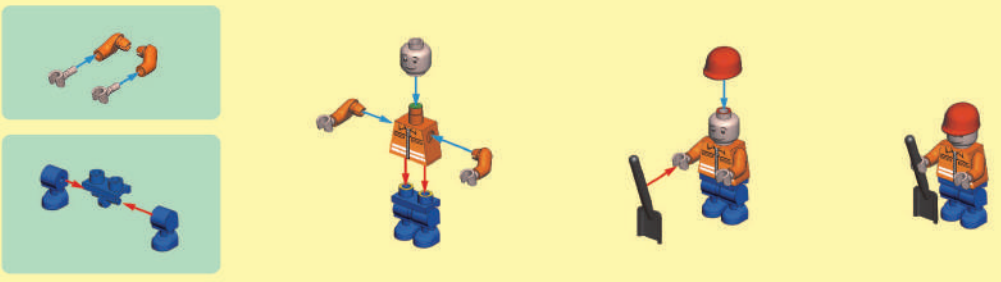
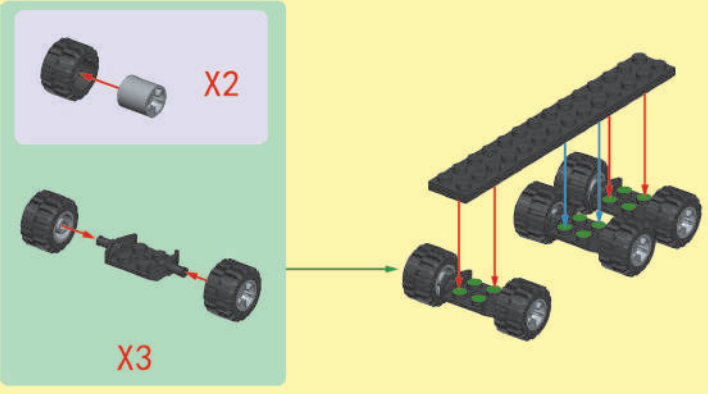




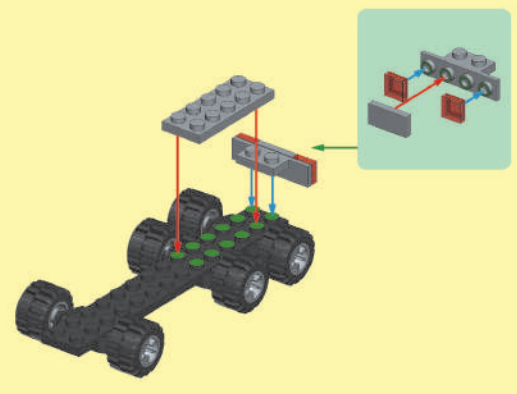
- 1**
- X1 (Shovel)
 - X1 (Orange Technic 1x2 Plate)
 - X1 (Grey Technic 1x2 Pin)
 - X1 (Red Technic 1x2 Pin)
 - X1 (Blue Technic 1x2 Pin)
 - X1 (Blue Technic 1x2 Pin)
 - X1 (Blue Technic 1x2 Pin)
 - X1 (Orange Technic 1x2 Pin)
 - X1 (Orange Technic 1x2 Pin)
 - X2 (Grey Technic 1x2 Pin)



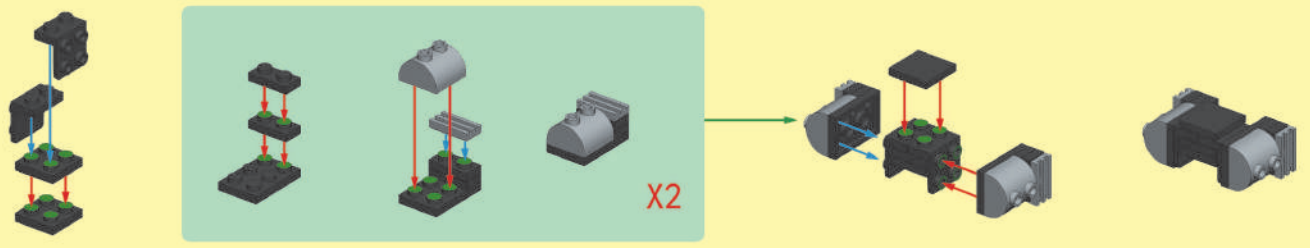
- 2**
- X1 (Black Technic 1x10 Beam)
 - X3 (Black Technic 1x2 Pin)
 - X6 (Black Technic 1x2 Pin)
 - X6 (Grey Technic 1x2 Pin)



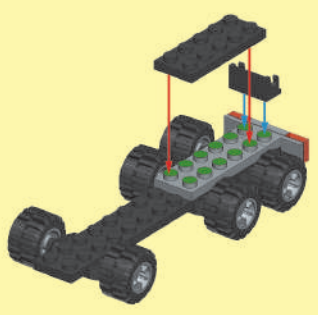
- 3**
- X1 (Grey Technic 1x4 Beam)
 - X1 (Grey Technic 1x4 Beam)
 - X1 (Grey Technic 1x2 Pin)
 - X2 (Red Technic 1x2 Pin)



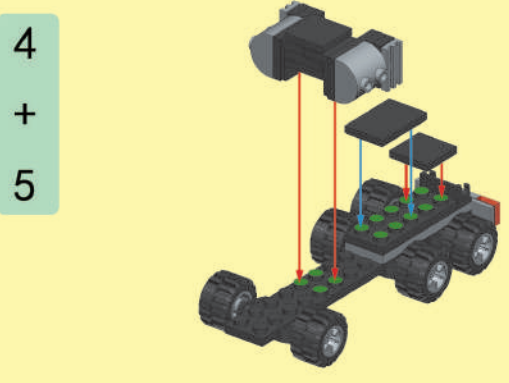
- 4**
- X2 (Black Technic 1x2 Pin)
 - X2 (Black Technic 1x2 Pin)
 - X2 (Grey Technic 1x2 Pin)
 - X2 (Black Technic 1x2 Pin)
 - X1 (Black Technic 1x2 Pin)
 - X4 (Black Technic 1x2 Pin)
 - X2 (Grey Technic 1x2 Pin)



- 5**
- X1 (Black Technic 1x10 Beam)
 - X1 (Black Technic 1x2 Pin)



- 6**
- X1 (Black Technic 1x2 Pin)
 - X1 (Black Technic 1x2 Pin)



7

X1 X1 X1

8

X12

X6

9

X3

10

X3

11

X2

12

X3

13

X1 X1 X2

14

15

X1

6 + 14

16

1 + 15