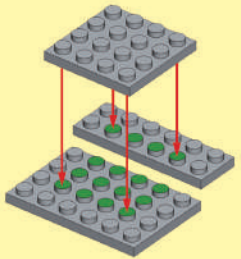
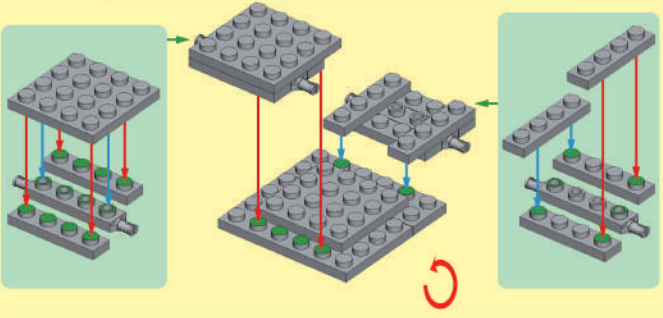




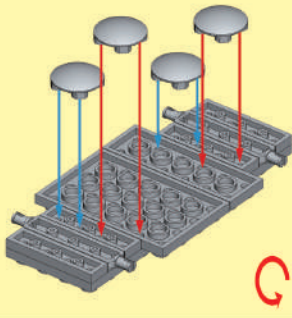
- 1
- X1
 - X1
 - X1



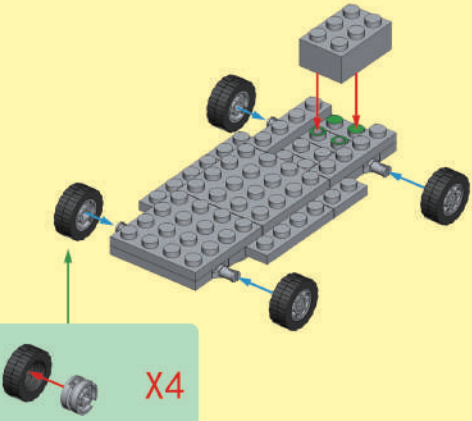
- 2
- X1
 - X2
 - X6



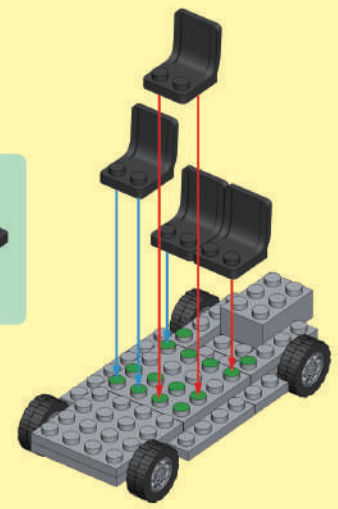
- 3
- X4



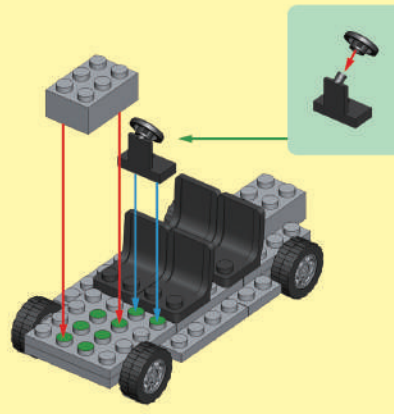
- 4
- X1
 - X4
 - X4



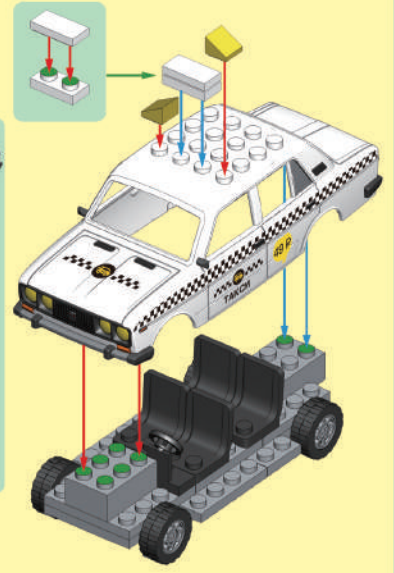
- 5
- X4



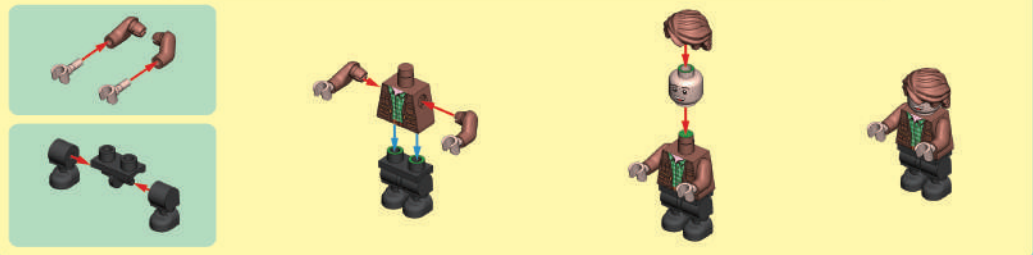
- 6
- X1
 - X1
 - X1



- 7
- X1
 - X1
 - X1
 - X2



- 8
- X1
 - X1
 - X1
 - X1
 - X1
 - X1
 - X1
 - X1
 - X2



- 9 7 + 8

