



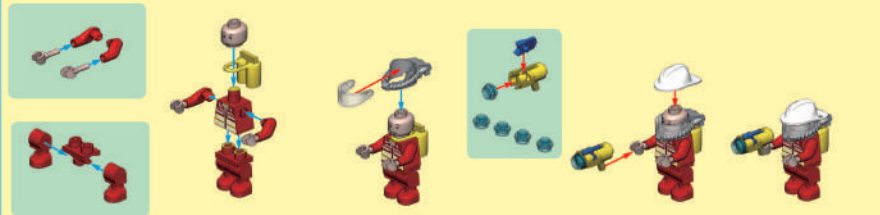
1

- X1 [Black 1x2 brick]
- X1 [Black 1x2 brick]
- X1 [Grey 1x4 plate]
- X1 [Blue 1x4 frame]
- X2 [Brown 1x2 tree]
- X7 [Brown 1x2 brick]
- X2 [Brown 1x2 brick]



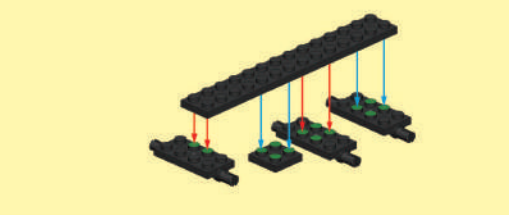
2

- X1 [Red 1x2 axle]
- X1 [Red 1x2 axle]
- X1 [Grey 1x2 axle]
- X1 [Red 1x2 axle]
- X1 [Red 1x2 axle]
- X1 [Red 1x2 axle]
- X1 [White 1x2 axle]
- X1 [Grey 1x2 axle]
- X1 [Yellow 1x2 axle]
- X1 [Yellow 1x2 axle]
- X1 [Red 1x2 axle]
- X1 [Red 1x2 axle]
- X2 [Grey 1x2 axle]
- X1 [Blue 1x2 axle]
- X5 [Blue 1x2 axle]



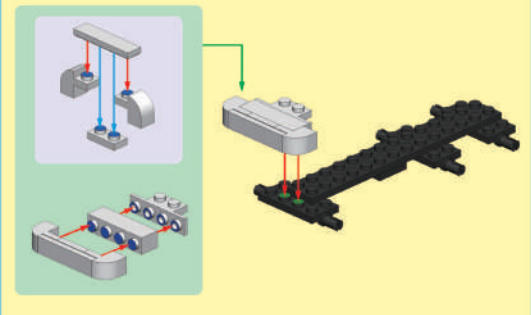
3

- X1 [Black 1x12 axle]
- X3 [Black 1x2 axle]
- X1 [Black 1x2 axle]



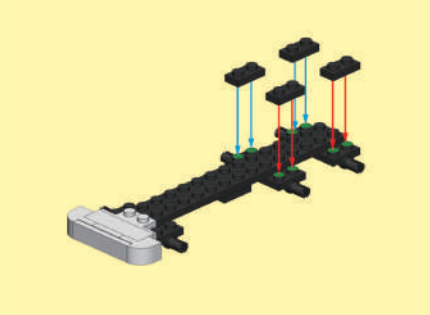
4

- X1 [Grey 1x4 axle]
- X1 [Grey 1x4 axle]
- X2 [Grey 1x2 axle]
- X1 [Grey 1x2 axle]
- X1 [Grey 1x2 axle]



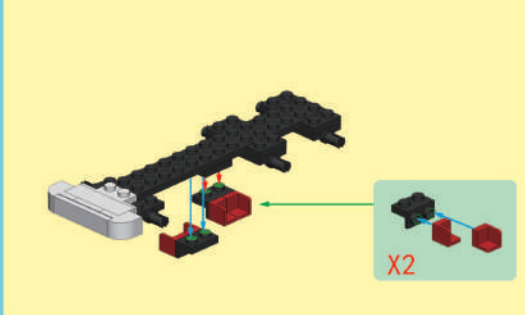
5

- X4 [Black 1x2 axle]



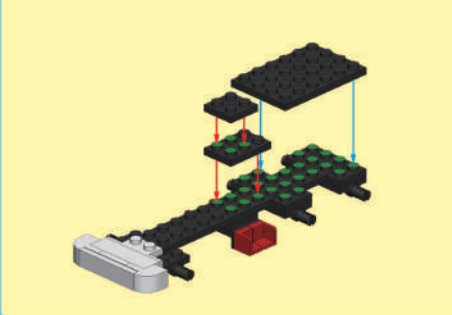
6

- X2 [Black 1x2 axle]
- X4 [Red 1x2 axle]



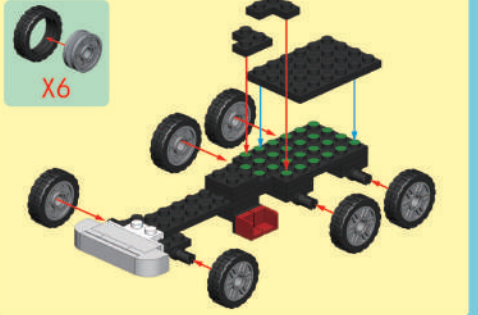
7

- X1 [Black 1x12 axle]
- X1 [Black 1x2 axle]
- X1 [Black 1x2 axle]



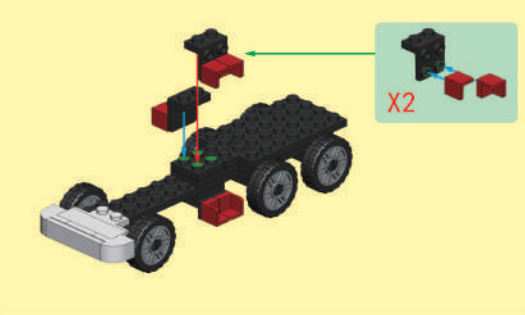
8

- X1 [Black 1x12 axle]
- X2 [Black 1x2 axle]
- X6 [Black 1x2 axle]
- X6 [Grey 1x2 axle]



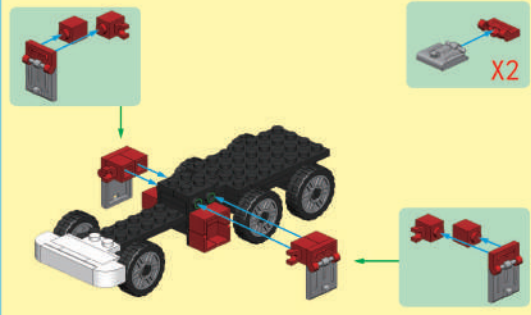
9

- X2 [Black 1x2 axle]
- X4 [Red 1x2 axle]



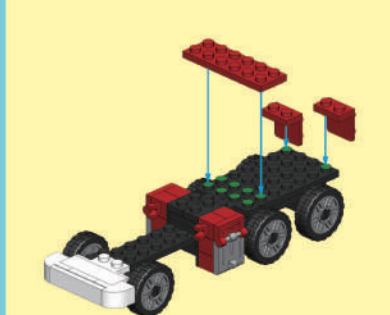
10

- X2 [Grey 1x2 axle]
- X2 [Red 1x2 axle]
- X2 [Red 1x2 axle]
- X2 [Red 1x2 axle]



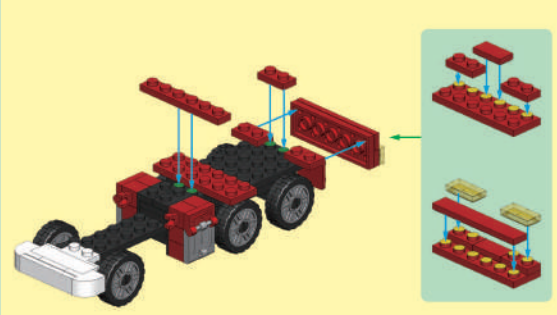
11

- X2 [Red 1x2 axle]
- X1 [Red 1x4 axle]



12

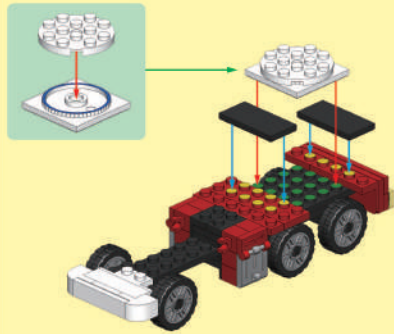
- X1 [Red 1x4 axle]
- X1 [Red 1x4 axle]
- X1 [Red 1x4 axle]
- X2 [Yellow 1x2 axle]
- X1 [Red 1x2 axle]
- X3 [Red 1x2 axle]



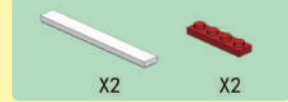
13



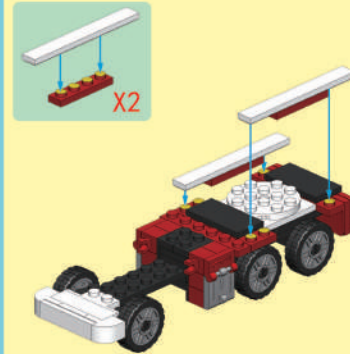
X1 X1 X2




14



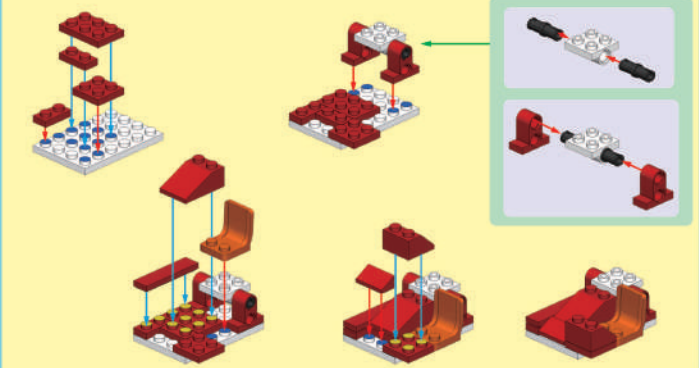
X2 X2



15

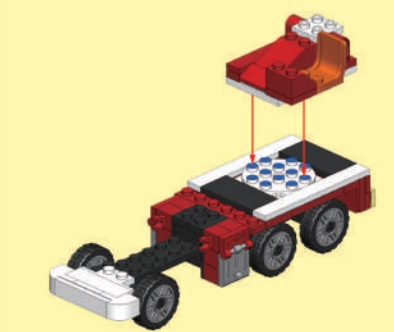


X1 X1 X1 X1 X1 X2 X1 X2 X1 X2 X1



16

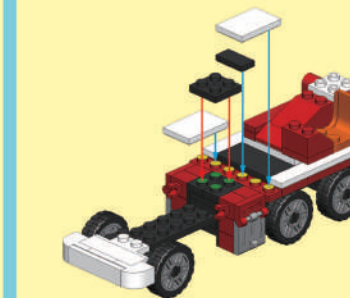
14 + 15




17



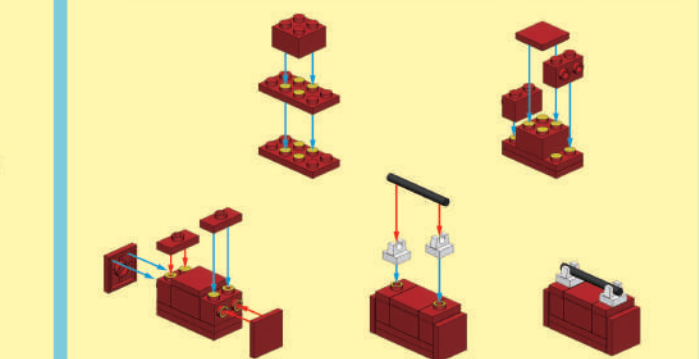
X2 X1 X1



18

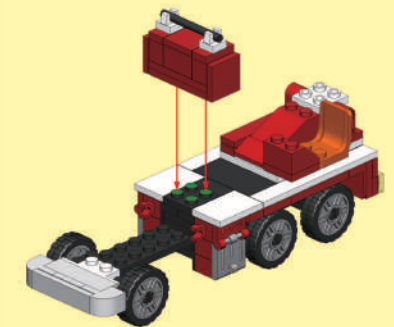


X2 X1 X2 X3 X2 X1 X2



19

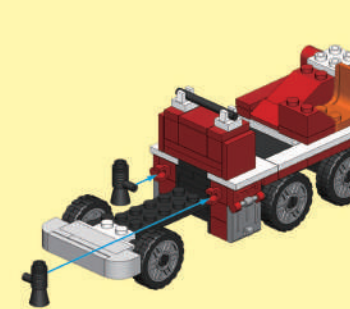
17 + 18



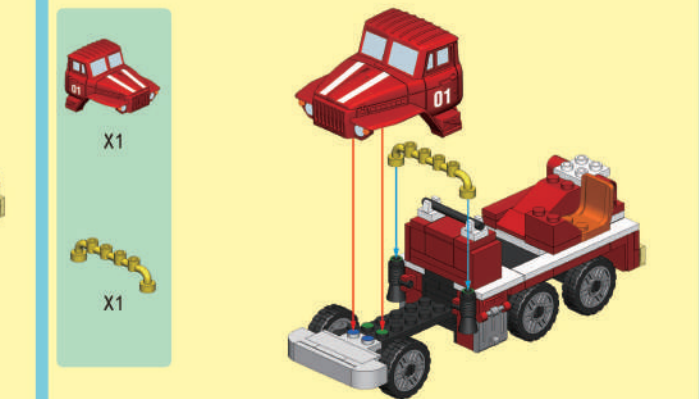
20



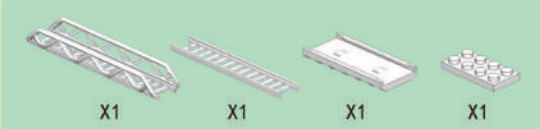
X2



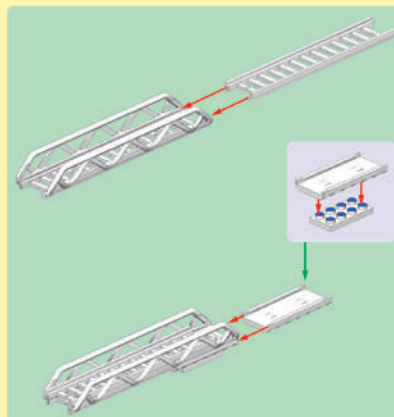
21



22



X1 X1 X1 X1



23

