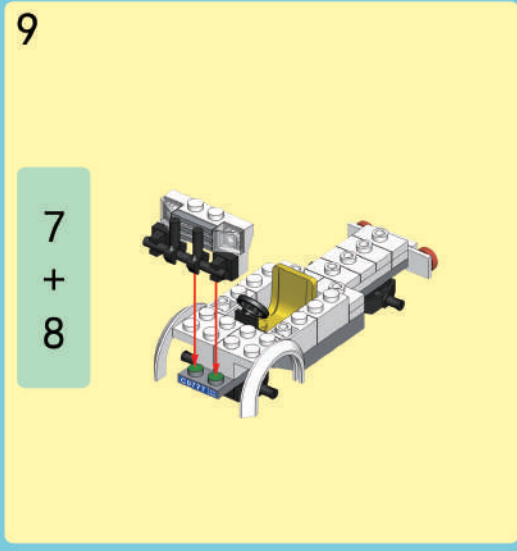
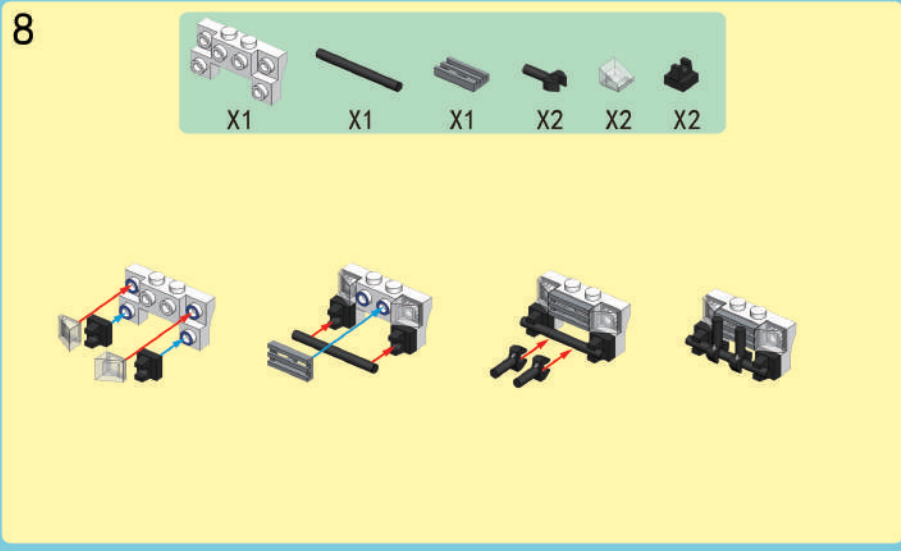
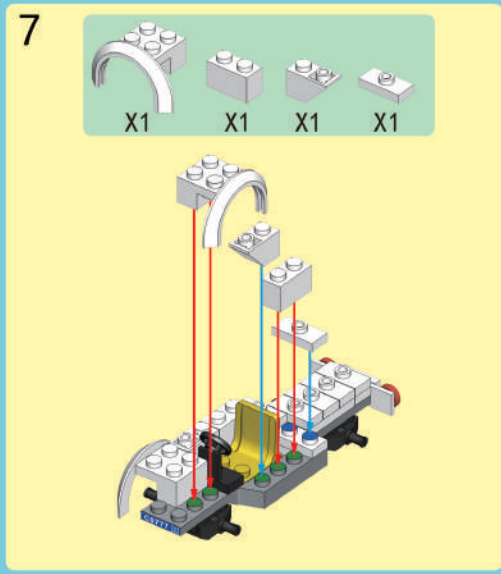
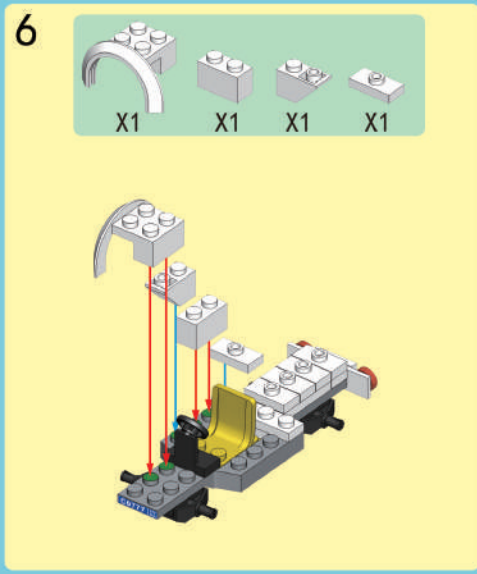
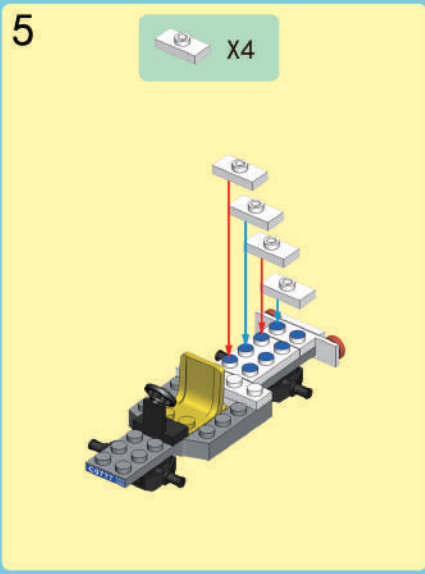
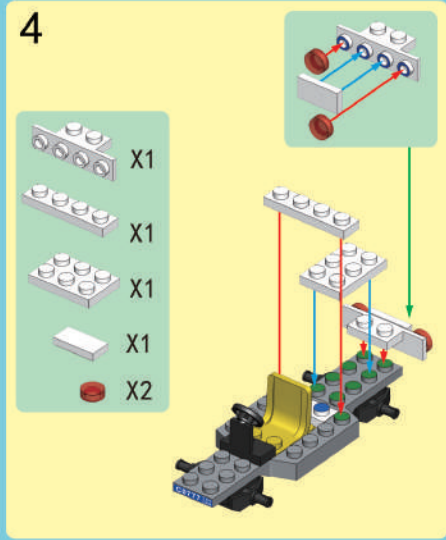
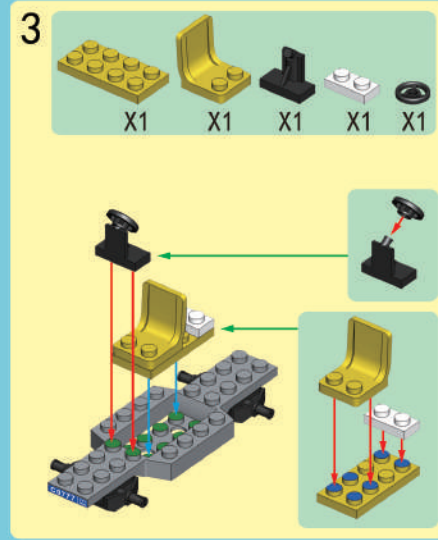
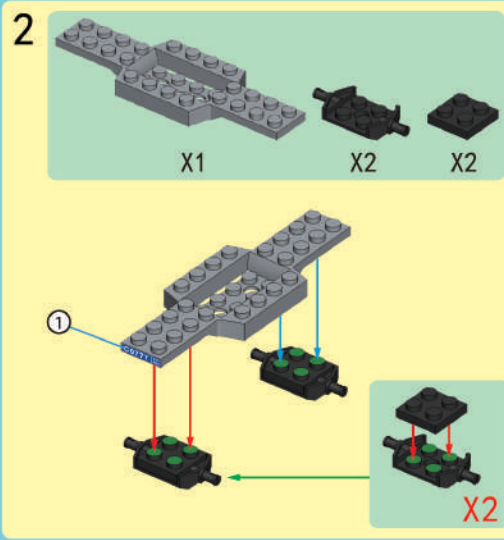
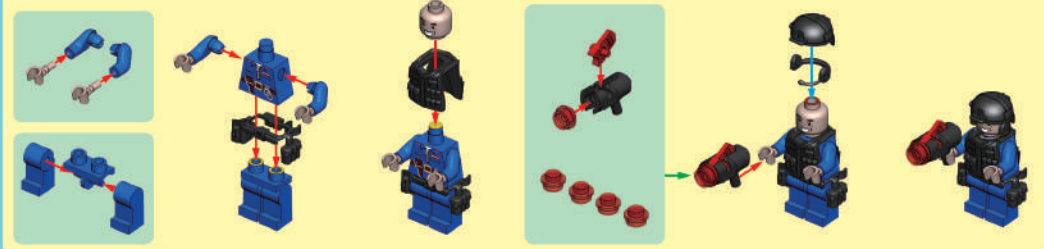
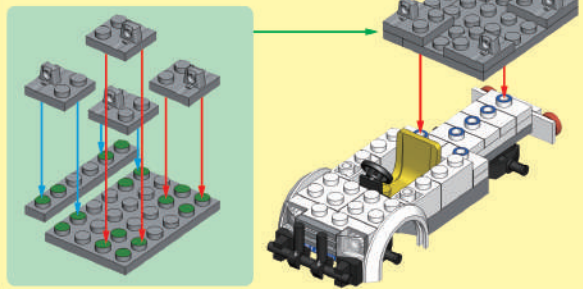
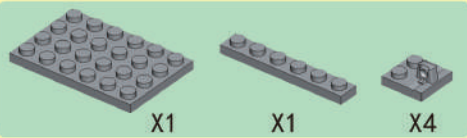




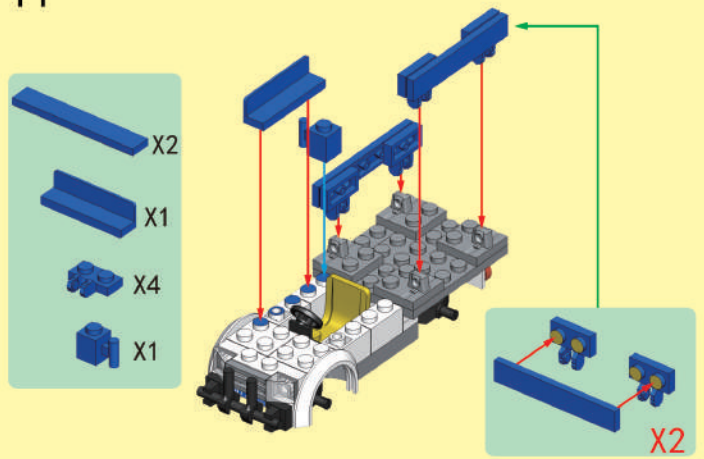
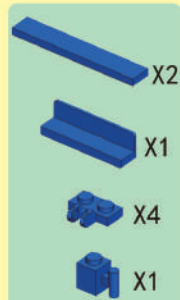
- 1**
- X1
  - X1
  - X1
  - X1
  - X1
  - X1
  - X1
  - X1
  - X1
  - X1
  - X1
  - X5
  - X1
  - X1
  - X2



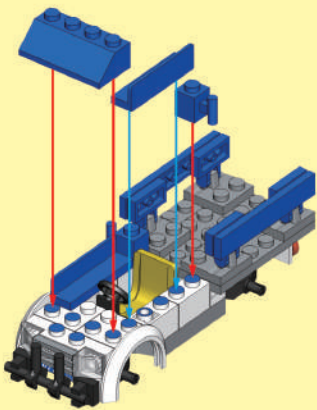
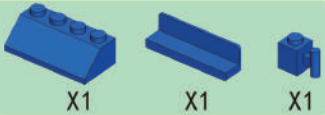
10



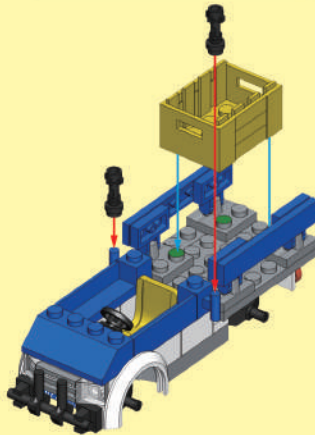
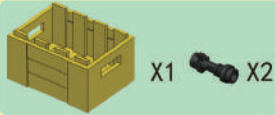
11



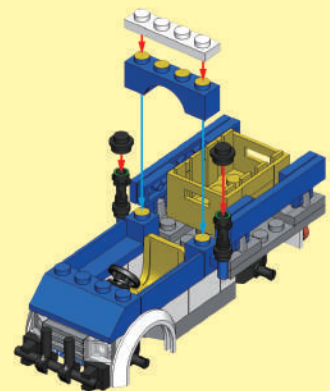
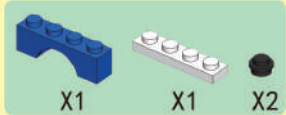
12



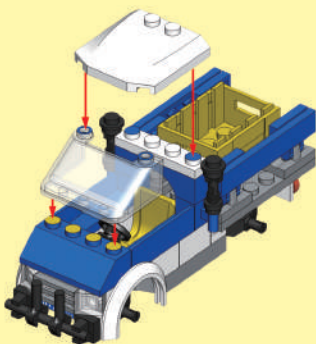
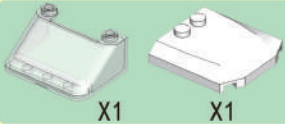
13



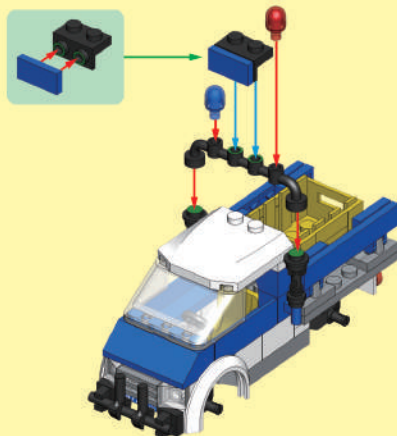
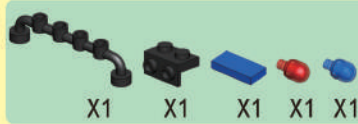
14



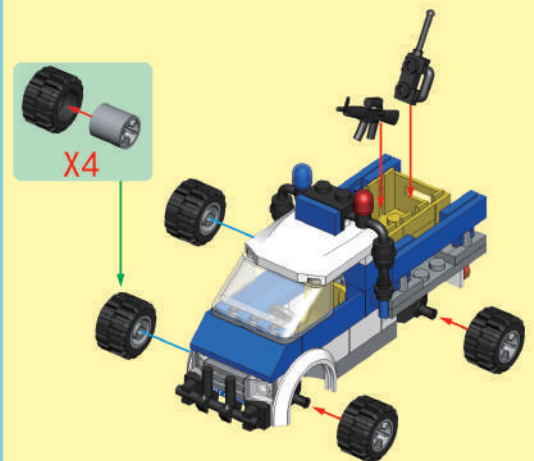
15



16



17



18

1 + 17

